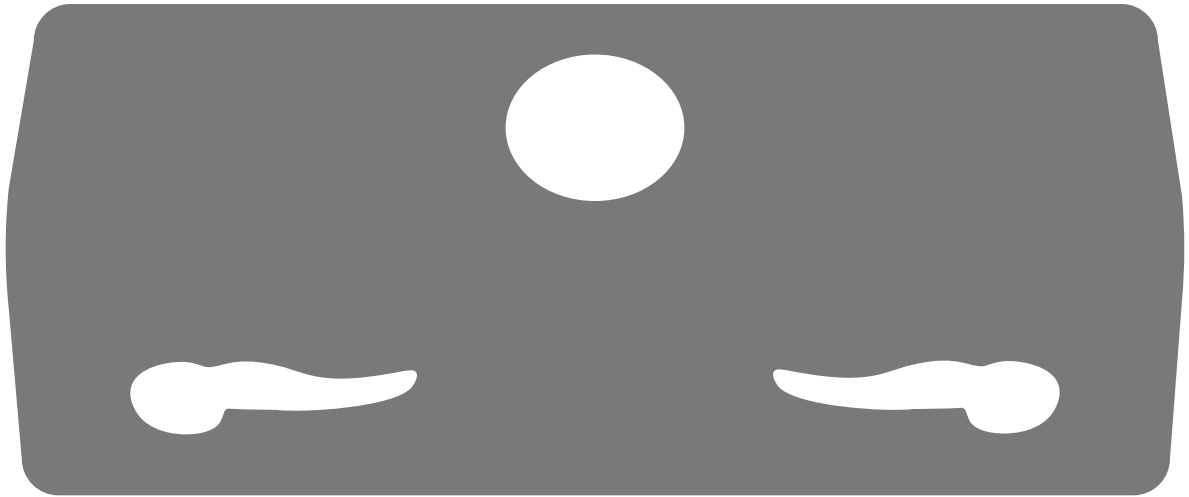




REC TEC GRILLS
TRAILBLAZER
RT-340

Owner's Manual
Model # RT-340



TRAILBLAZER

RT-340

 WARNING! 
**FOR OUTDOOR USE
ONLY!**

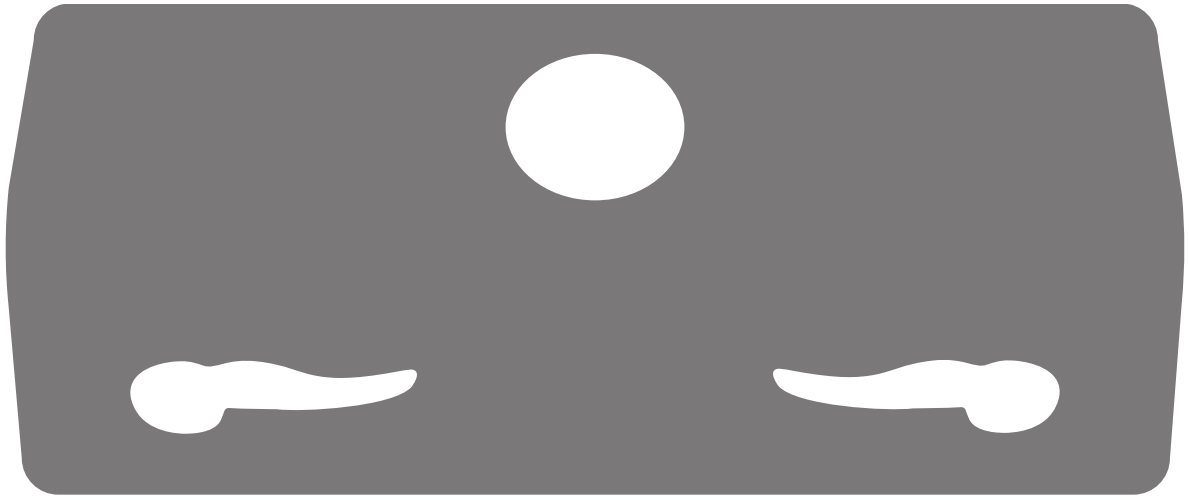
DO NOT STORE OR USE
COMBUSTIBLE MATERIALS IN OR NEAR THIS
APPLIANCE.

TO PREVENT INJURY, NEVER ATTEMPT TO MOVE
GRILL WHILE HOT, UPRIGHT, OR WITHOUT
ASSISTANCE.

NEVER STORE ANY GRILL IN A SMALL SPACE OR
PLACE IN A VEHICLE UNLESS COMPLETELY COOL
AND FIRE IS VERIFIED AS EXTINGUISHED

LEAVE A MINIMUM OF 60" CIRCUMFERENCE
BETWEEN GRILL, DECKS, HOUSES OR ANY
COMBUSTIBLE MATERIALS.

USE ON LEVEL GROUND AWAY FROM
OVERHANGING ROOFS OR EAVES.



TRAILBLAZER

RT-340

REC TEC TRAILBLAZER

Letter From Ray and Ron

Congratulations on the purchase of your new **REC TEC TRAILBLAZER** Wood Pellet Grill! With proper care and maintenance, your grill will provide you years of trouble free operation. Please review the following information carefully for useful tips and information that will help you utilize your grill's extensive features and benefits.

Your REC TEC TRAILBLAZER is by far and away the most bang for your buck and comes fully loaded with a HotFlash Ceramic Ignition System, Stainless Steel Body and state-of-the-art Wi-Pellet Wifi Technology. Your REC TEC's revolutionary Smart Grill Technology™ automatically adjusts the rate at which REC TEC Premium Hardwood Pellets are introduced into the fire pot to maintain a consistent temperature like no other grill you have ever used. The result is the simplest and most convenient way for a backyard enthusiast to Cook, Bake, Roast, Grill or Slow Smoke their favorite foods while adding flavor profiles that can only come from a real wood fire. Just set your temperature and let your REC TEC take all the guess work out of your next cookout.

We want you to join the vibrant and growing community of REC TEC owners. Whether you want to contribute your own tips and recipes, learn from others, or a bit of both, please jump right in. You now have an incredible tool for cooking. Let's see how you use it!

Join our online community at: **Website: rectecgrills.com**

Facebook: facebook.com/rectecgrills

Twitter: twitter.com/rectecgrills

YouTube: youtube.com/rectecgrills

Instagram: instagram.com/rectecgrills

Thank you for choosing REC TEC GRILLS!!



Ray Carnes & Ron Cundy, Co-Founders, REC TEC Industries, LLC

Contents

| | |
|---|-----------|
| Letter From Ray and Ron..... | 1 |
| Important Safety Information | 3 |
| Carton Contents | 4 |
| Assembling Your REC TEC TRAILBLAZER | 5 |
| SPECS | 8 |
| Initial Setup Procedure | 9 |
| Temperature Probes..... | 9 |
| Operating your REC TEC TRAILBLAZER..... | 10 |
| Tips, Tricks, and Temps | 12 |
| Maintenance and Cleaning | 14 |
| Folding For Transport & Storage | 15 |
| Troubleshooting | 16 |
| Manual Start Up..... | 19 |
| Controller Schematic | 20 |
| Cooking Notes | 21 |
| Recipes..... | 23 |
| REC TEC TRAILBLAZER TWO (2) Year Non-transferable Limited Warranty | 26 |

Important Safety Information

Warning: Read all Safety Information Before Operating Grill

- ⚠ For outdoor use only. Do not use in any enclosed area. Use on Level Surface, away from overhanging eaves.
- ⚠ Keep grill 60” or more from any combustible surface.
- ⚠ To prevent grease fires, clean your grill on a regular basis (especially after cooking greasy foods at lower temperatures). In the event of a grease fire, unplug the grill and leave lid closed until the fire is out.
- ⚠ Do not put anything flammable in the storage area under the grill.
- ⚠ Never plug-in your REC TEC TRAILBLAZER without the service access panel located under the controller installed.
- ⚠ Never put your grill in a vehicle without first ensuring that it is completely cool and that no hot embers, pellets or ashes remain in the fire pot or auger.
- ⚠ Occasionally, your REC TEC TRAILBLAZER should be checked for fire pot obstructions to make sure proper air flow is maintained. See cleaning instructions in this manual for correct procedures.
- ⚠ Your REC TEC TRAILBLAZER gets very hot; keep young children and animals away while in use.
- ⚠ Use heat-resistant barbecue mitts or gloves when operating this unit. Long handled, non-plastic utensils are also recommended.
- ⚠ Do not touch cooking chamber or attempt to move your REC TEC TRAILBLAZER while operating or while the grill is hot. Make sure the fire is completely out and that the grill is completely cool before transporting the grill.
- ⚠ Before covering your grill, make sure that the grill has cooled completely.
- ⚠ Never put your hand in the pellet hopper or attempt to service any part of your REC TEC TRAILBLAZER while your grill is plugged in.

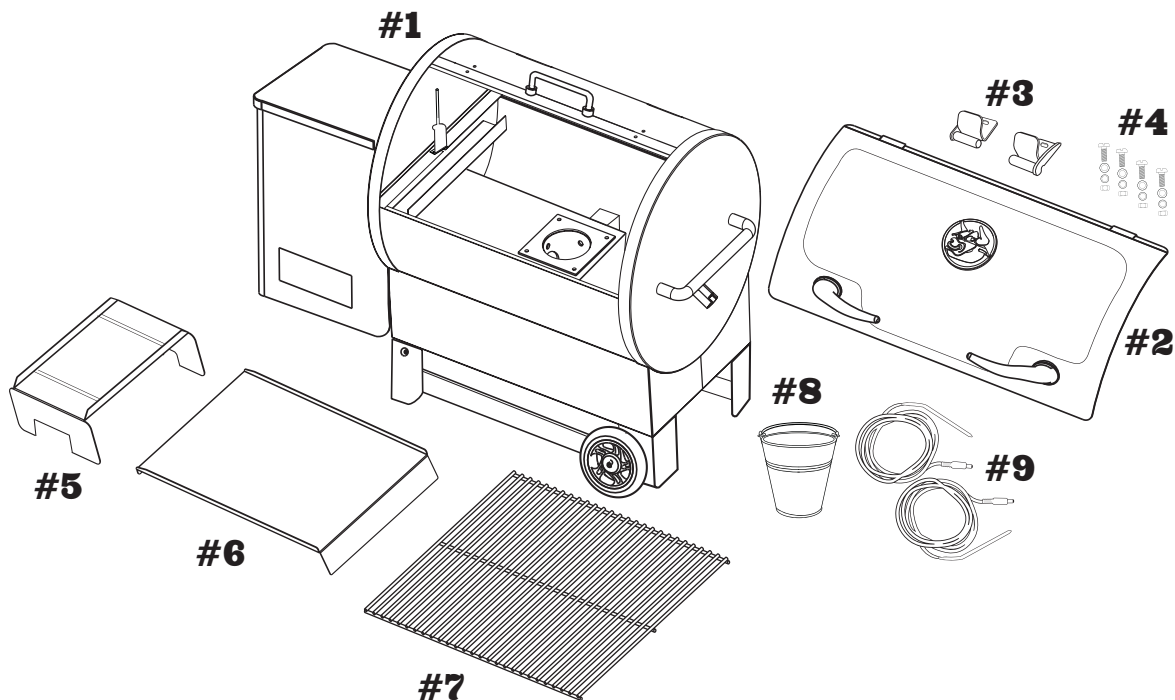
Carton Contents

Please note that during shipping some movement may have taken place, so a complete visual inspection is required. Be sure to inspect entire grill after removing the protective shipping carton. Some surfaces may be sharp, so wear gloves when assembling.

Do not plug in the grill until it is fully assembled and you're ready to cook.

Your carton contains the following:

- 1- pre-assembled REC TEC TRAILBLAZER body - #1
- 1- stamped insulated lid - #2
- 2- lid stops (left and right) - #3
- 1- set lid stop hardware - #4
- 1- flame deflector - #5
- 1- drip pan - #6
- 1- cooking grate - #7
- 1- drip bucket - #8
- 2- temperature probes - #9



Questions?



Call our customer service at 1-706-922-0890
10am-8pm EST. Mon-Thurs;
10am-7pm EST Fri;
9am-3pm EST Sat.

Assembling Your REC TEC TRAILBLAZER

STEP 1 – Unpack and Prepare for Assembly

Remove grill body (#1) and lid (#2) from packaging. Remove all items from inside grill and verify that all contents are present. See content list on page 4.

Tip: Flatten the cardboard box out and lay everything on it. This serves as a good working area and it helps prevent the grill from getting scratched or damaged during installation.

STEP 2 – Install Lid

Attach left lid stop (#3) to grill body (#1) with the provided hardware (#4).

You will need a Phillips head screwdriver and 8mm socket wrench (5/16" or pliers will work)

DO NOT FULLY TIGHTEN.

Carefully slide lid (#2) onto left lid stop (#3).

Attach unfastened right lid stop (#3) to lid (#2).

Align holes in right lid stop (#3) with holes in grill body (#1) and insert provided bolts (#4).

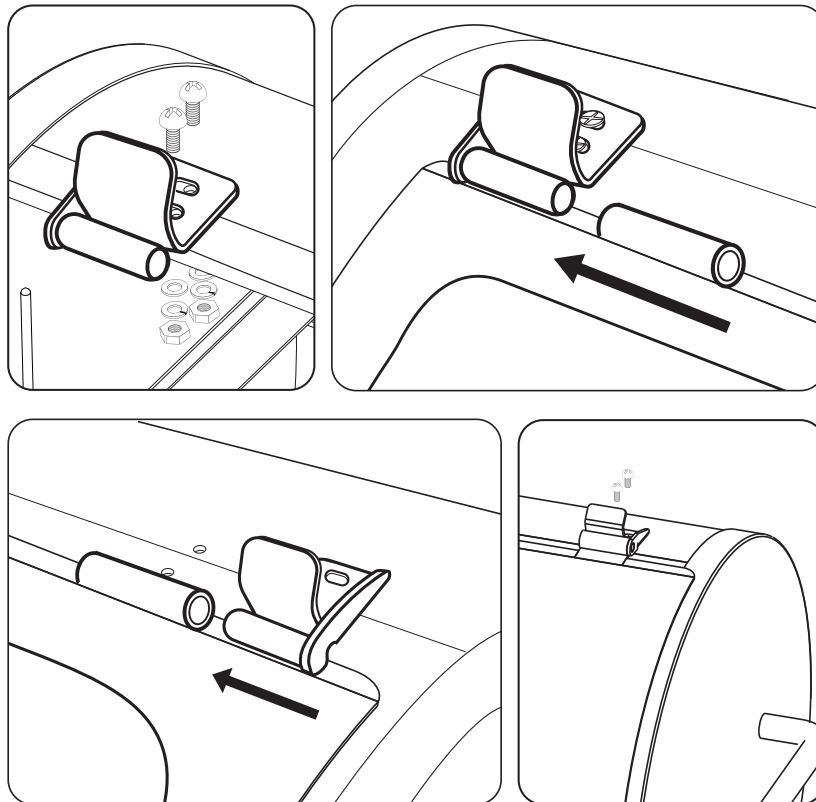
Open lid (#2) and from inside the grill body (#1) install remaining hardware.

DO NOT FULLY TIGHTEN.

Verify that lid (#2) closes correctly, and make necessary adjustments before final tightening.

You will need a Phillips head screwdriver and 8mm socket wrench (5/16" or pliers will work)

FULLY TIGHTEN ALL HARDWARE.



Questions?



Call our customer service at 1-706-922-0890

10am-8pm EST. Mon-Thurs;

10am-7pm EST Fri;

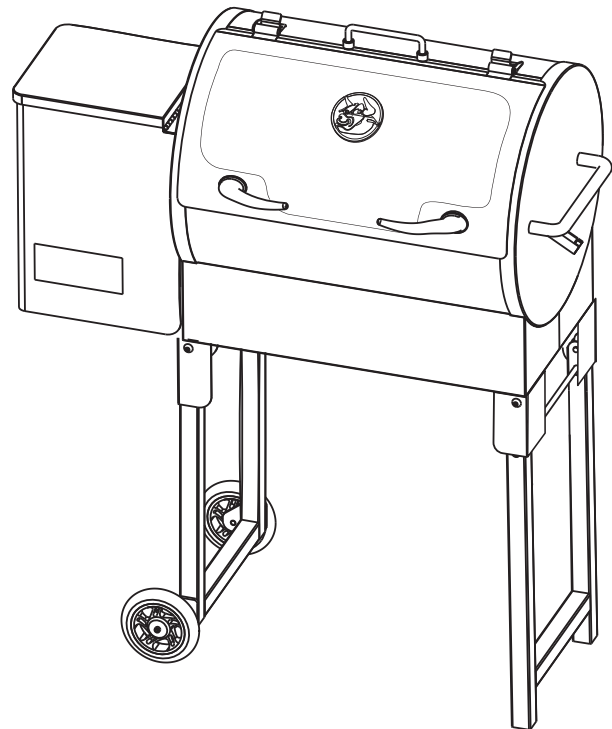
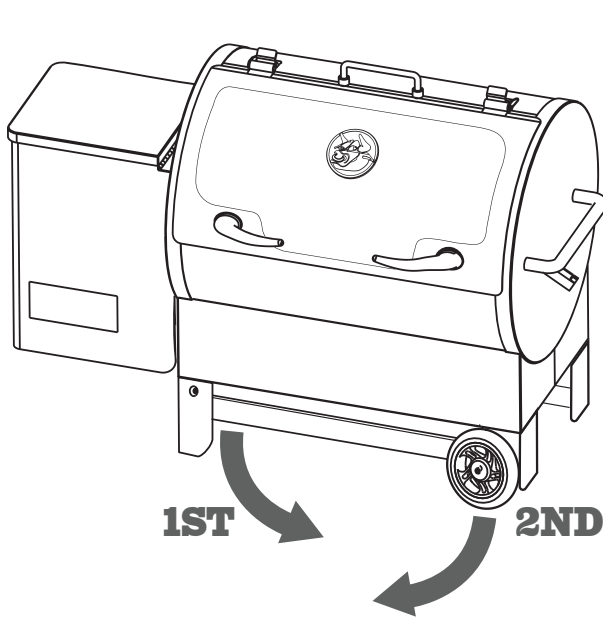
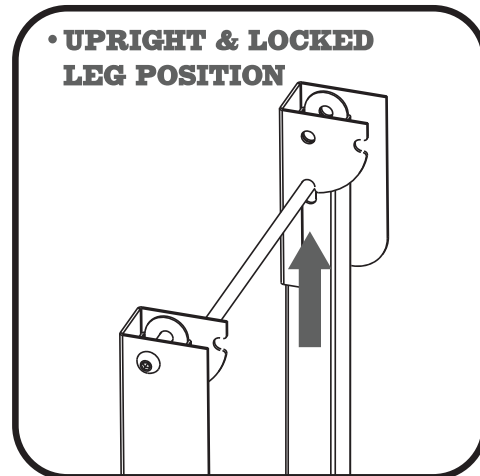
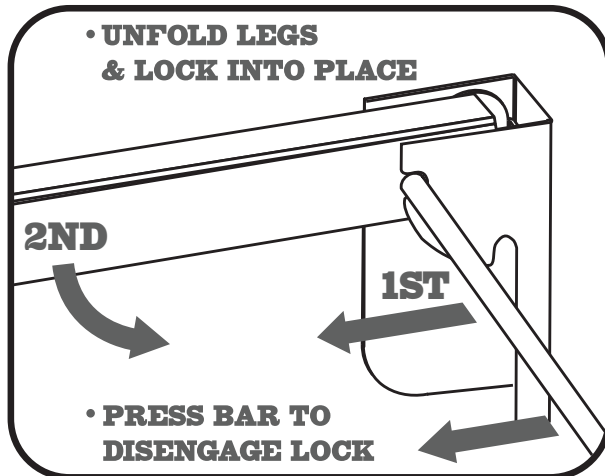
9am-3pm EST Sat.

STEP 3 – Unfolding the Legs

The grill should be lying on its back to unfold the legs. First unfold the non-wheeled set of legs by depressing the bar away from the notched hinge mechanism and disengaging the lock. Swing the legs to the right.

Repeat for the wheeled set of legs. Ensure that the bar has locked into place in the unfolded position before standing the grill upright.

NEVER ATTEMPT TO MOVE YOUR GRILL IN UPRIGHT POSITION.



Questions?



Call our customer service at 1-706-922-0890
10am-8pm EST. Mon-Thurs;
10am-7pm EST Fri;
9am-3pm EST Sat.

STEP 4 – Flame Deflector (#5), Drip Pan (#6), Cooking Grate (#7), and Drip Bucket (#8) Installation

Open the lid of the REC TEC TRAILBLAZER. Install the Flame Deflector (#5) over the Air Box Assembly with the small notches of the flame deflector over the small tabs located at the inside front and rear of the grill body.

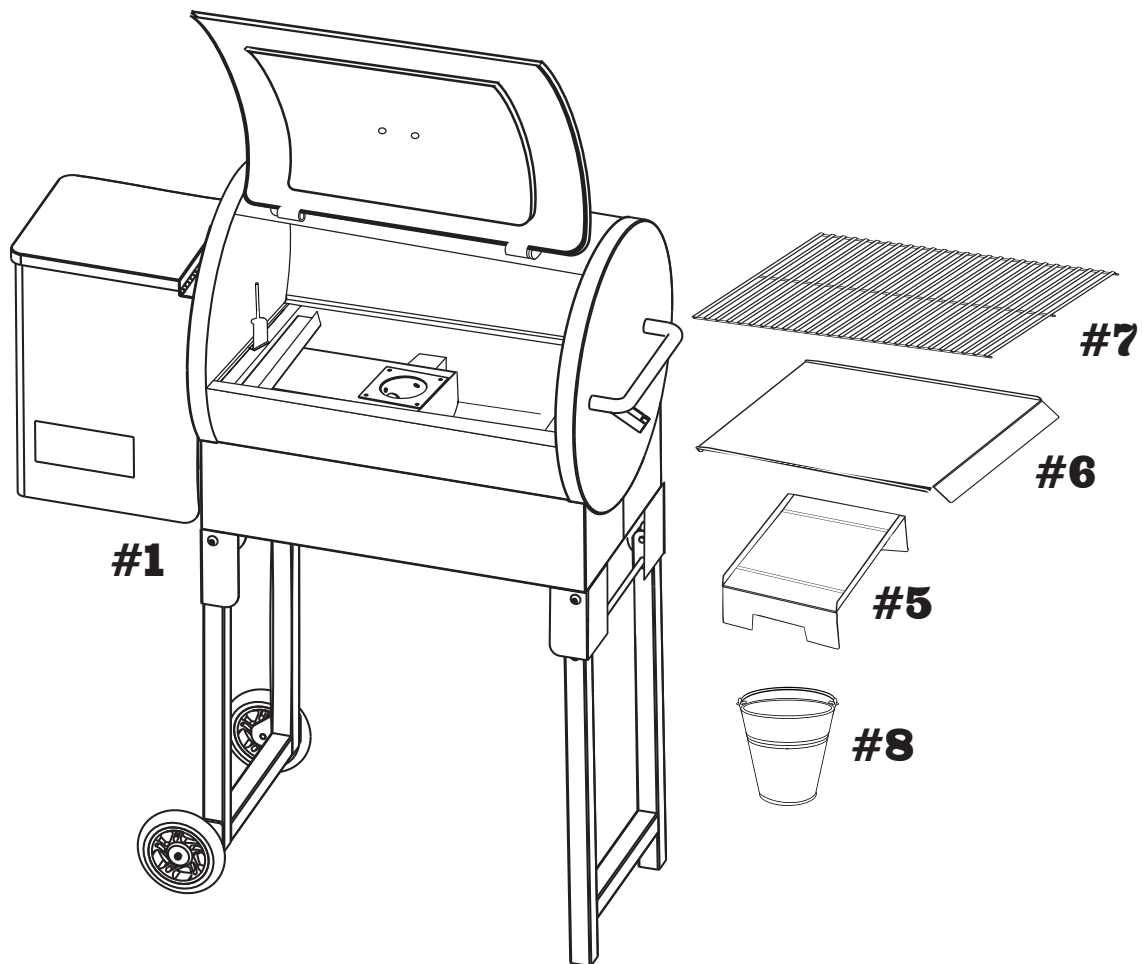
Install Drip Pan (#6) with the short lip sitting on the left-side drip pan support and the longer lip resting on the right-side lower support. Make sure to leave equal gapping between Drip Pan and front and back chamber walls to ensure even heat distribution.

BE CAREFUL NOT TO DAMAGE THE TEMPERATURE SENSOR WHILE INSTALLING THE DRIP PAN.

(TIP: many customers line their drip pan with aluminum foil for easier clean up. When lining drip pan, keep foil inside drip pan edges and do not wrap around as this can restrict airflow.)

Install the Cooking Grate (#7) by resting it flat on the front and back ledges inside chamber. Be careful to avoid the temperature sensor during placement.

Install the Drip Bucket (#8) by clipping the handle to the integrated hook on grease spout at right of chamber and allow it to hang.



Questions?



Call our customer service at 1-706-922-0890
10am-8pm EST. Mon-Thurs;
10am-7pm EST Fri;
9am-3pm EST Sat.

SPECS

Below is a list of features and specifications for the REC TEC TRAILBLAZER:

Temperature Controls

Smart Grill Technology™ controller
Wi-Pellet Wifi Technology
Automatic lighting feature
Automatic Shutdown feature
200°F to 500°F in 5° increments
Proprietary PID algorithm maintains temperature precisely
Dual meat probes (Probe A, Probe B)
LO / FUL settings

Exterior

Stainless steel cooking chamber
Insulated Lid
Probe port hole
Locking stainless steel hopper lid
15 lb Hopper
Fail-proof lid stops
Spill-proof drip bucket hook
Micro polished stainless steel bull horn handles
Rollerblade style wheels
Stainless steel logo
Folding and locking legs for easy storage and transport
Handle on end for easy rolling transport while folded
Weighs 80 lbs

Interior

340 sq./ in. Cooking area and tall enough for turkeys or large roasts
511 sq./in Cooking area with optional second shelf
304 stainless steel cooking grate
304 stainless steel fire pot
304 stainless steel heat deflector
304 stainless steel drip pan
HotFlash ceramic ignition system

Construction Features

Stainless steel hardware
Rubber grommets at all wire through holes to prevent chaffing
Modular construction allows for individual component replacement
Vented component access panel for easy access

Power Source

110 Volt AC GFCI outlet

Fuel Source

100% Natural Hardwood Pellets

Questions?



Call our customer service at 1-706-922-0890
10am-8pm EST. Mon-Thurs;
10am-7pm EST Fri;
9am-3pm EST Sat.

Initial Setup Procedure

For your first lighting, follow this Initial Setup Procedure.

Before starting your REC TEC TRAILBLAZER, inspect the burn area inside the grilling area. It is a recommended practice to go through the following procedure at initial start up.

1. Open the main lid and remove the stainless steel cooking grate, drip pan and flame deflector. Make sure all packing material has been removed.
2. Open the pellet hopper lid found on the left side of your grill and check for any foreign objects.
3. Plug your REC TEC TRAILBLAZER into the nearest 110 Volt AC GFCI outlet. (Note: If your home does not have a GFCI outlet, you should have one installed by an electrician.)
4. Put no more than 1/2 cup of pellets directly into the fire pot to provide fuel to burn while auger tube self-primers.
5. Pour pellets into your grill's pellet hopper.
6. Wash cooking grate with mild soap and water.
7. Reinstall the stainless steel flame deflector, drip pan, cooking grate, and close lid.

Tip: If you want to line your drip pan with foil for ease of cleanup, we recommend you do this before your initial burn in. When lining drip pan, keep foil inside drip pan edges and do not wrap around as this can restrict airflow.

8. Turn on your REC TEC TRAILBLAZER by pressing the power button at the left of the panel. Set temperature to 400°F by turning temperature control knob.
9. Within a few minutes you will see smoke, and your grill will light.
10. Once grill achieves 400°F, allow it to run for 1 hour, this will provide a final cure and remove any residue that may have accumulated during manufacturing and shipping.

After this initial burn, your grill is ready for cooking.

Temperature Probes

Plug your temperature probes into the grill's controller probe ports A and B.

Feed probes through the probe port hole on the left side of grill cooking chamber.

Insert probes into thickest portion of meat for most accurate reading.

See page 22 for USDA safety guidelines.

Unplugging probes and cleaning with damp cloth will prolong the life and accuracy of your probes.

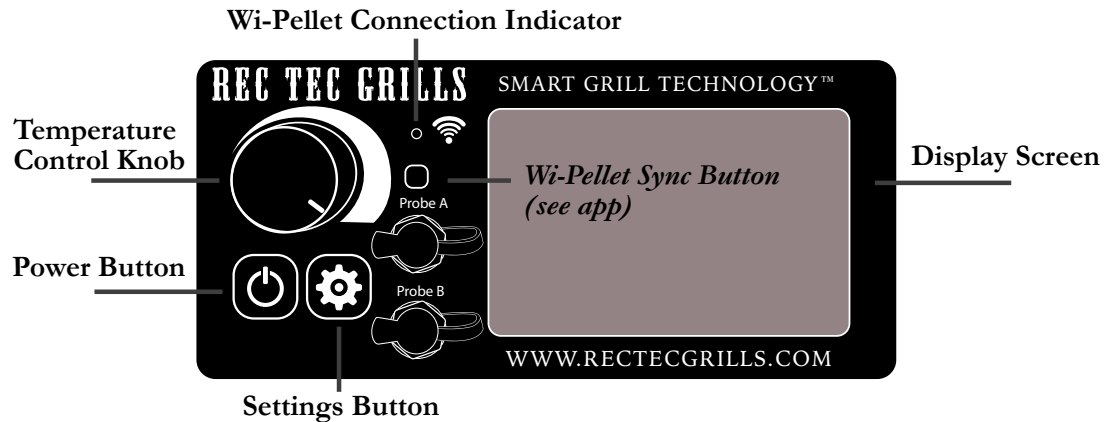
Reinstalling rubber protectors over connection ports on controller after each cook will prolong the life and quality of your controller.

DO NOT FULLY SUBMERGE PROBES IN WATER OR WASH IN DISHWASHER



Call our customer service at 1-706-922-0890
10am-8pm EST. Mon-Thurs;
10am-7pm EST Fri;
9am-3pm EST Sat.

Operating your REC TEC TRAILBLAZER



Power Button:

Press power button to turn grill on and adjust temperature knob to desired temperature.

- Turning the grill ON activates the automatic startup mode and illuminates the digital readout.
- If your grill fails to light itself within 30 minutes of startup, the Smart Grill Technology™ processor will turn the grill off and display ER-2 on the screen. *See page 18 for ER Codes*
- Pressing the power button again activates the shut down mode of your grill. If grill's actual temperature is below 160°F, pressing the power button will simply turn the grill off.
- When the power button is used to **shut down** your grill, the Smart Grill Technology™ processor will stop adding pellets to the fire pot and the fan will continue running to completely burn the pellets remaining in the fire pot. During this cooling process, the display screen will display FAN.

WIFI - Download app from Apple App Store for Apple devices or Google Play, and follow the directions on app.

Temperature Control Knob: Turn knob to select computer maintained temperature in 5° increments. (Range: 200°F - 500°F)

Additional Temperature settings: LO and FUL

LO: LO will display as actual temperature when knob is turned counterclockwise beyond 200°F and Xtreme Smoke will be activated. The grill will feed pellets to the fire at the minimum feed rate (lowest rate possible to maintain a reliable fire). This will produce the most smoke and achieve the lowest temperature possible, given environmental conditions / type of pellets used.

FUL: FUL will display as actual temperature when knob is turned clockwise beyond 500°F. Grill will feed pellets to the fire at the 100% of auger capacity. This will produce the highest temperature possible, given environmental conditions / type of pellets used.

Settings Button - Press and hold the setting button to access the adjustable parameters menu. Short presses of the settings button will scroll through the adjustable parameters. Pressing and holding the settings button will exit the adjustable parameters menu.



Call our customer service at 1-706-922-0890
10am-8pm EST. Mon-Thurs;
10am-7pm EST Fri;
9am-3pm EST Sat.

Test Mode - With grill **OFF**, press and hold the settings button to enter the Adjustable Parameters menu. Enter Test Mode from either of the two screens AUG or OFS by pressing the power button. Each additional press of the power button will advance you through the 8 Test Mode screens. The last screen is the bYE screen. While on the bYE screen, press the Settings button to return to the adjustable parameters screen then press and hold the Settings button and your grill's controller will return to the OFF state.

Adjustable Parameter 1: Min Feed Rate - Min Feed Rate is the minimum rate that the auger is allowed to feed fuel to the fire pot, regardless of Set Point. Decreasing the value will allow the grill to achieve lower temperatures but will increase the risk of flameouts. Increasing the value will prevent losing fire but will limit your ability to maintain low temperatures on hot, sunny days. Adjustable parameter 1 controller will display AUG. Additionally, the current auger minimum feed rate will be displayed as a number. Turning the temperature knob clockwise will increase and turning counter-clockwise decrease the value within the range of 30 - 250. **(Factory preset: 65)**

Adjustable Parameter 2: Temperature Offset - Your grill has been precisely calibrated at our facility, but the Temperature Offset allows you to customize how your controller will operate. Should you choose to rely on a secondary temperature probe, you can use the following process to recalibrate your Smart Grill Technology Controller. Adjustable parameter 2 will display OFS. Additionally, the current temperature offset percentage value will be displayed. Turning the temperature knob clockwise will increase and turning counter-clockwise decrease the value within the range of -25.0 to 25.0. **(Factory preset: 0)**

VEr XXX - displays current software version.

Screen 5-1 is test mode for your auger motor. You should be able to look in your grill's fire pot and see the end of the auger turning very slowly.

Screen 5-2 is test mode for your grill's ignition system. You should be able to look into grill's fire pot and see your ignitor begin to glow within a few minutes. **DO NOT TOUCH THE IGNITOR.**

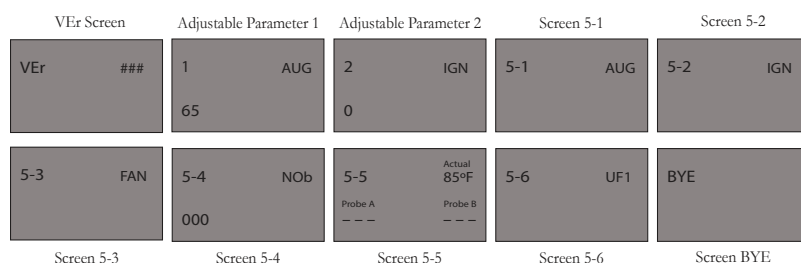
Screen 5-3 is test mode for your grill's blower fan. You should be able to hear the fan blowing.

Screen 5-4 is test mode for your grill's Control Knob. You can turn the knob to see the 000 value increase and decrease as you turn the knob.

Screen 5-5 is test mode for your grill's Temperature sensor and Probe A and Probe B. You can see the temperature values for each displayed on the screen. (A value of - - - means the probe is not plugged in or the grill's sensor is not connected.)

Screen 5-6 is a internal quality control screen that has no function for the user.

Screen bYE is the final screen of the test mode. Pressing the power button again will return you to Screen 5-1. Pressing the settings button will return you to the Settings Menu, at which time you can hold the Settings Button to exit Settings Menu and get you back to a blank screen.



Tips, Tricks, and Temps

Preheating

It is important to allow your grill to preheat and achieve your desired cooking temperature before cooking. This allows the entire grill to heat up and quickly return to your desired temperature once your food is introduced. If you do not allow the grill to preheat, you will find that it takes a longer period of time to bring both the grill and the food to your desired cooking temperature.

Pellet Information

REC TEC GRILLS Ultimate Blend premium hardwood pellets contain approximately 8,200 BTU's of heat per pound and have less than 1% ash residue. Pellets should be stored in a dry area, as wet pellets will swell and turn back into sawdust. **For best results, always use premium hardwood pellets in your grill.** The use of grades other than premium hardwood pellets may result in temperature variations, uneven cooking, and poor results. Remember pellets do not contain preservatives and will deteriorate over time.

Caution: Some wood pellets produced for heating fuel have a high content of softwood which can include pitch, and should not be used for cooking. Always check with the pellet manufacturer to ensure that you are cooking with a premium 100% hardwood pellet.

Lid Position

Always cook with the lid closed. An open lid allows heat to escape and sends false temperature information to your Smart Grill Technology™ processor. This hinders the REC TEC's natural convection air flow, and lengthens cooking time. Cooking with the lid closed keeps the temperature even and cooks food faster. A closed lid also helps to enhance the flavor profile of your food by infusing smoke from the pellet flavor you selected into your food.

Tips and Tricks

Clean your grill regularly to maintain beauty and proper function. It is advised to clean before any long cook. (See page 14 for cleaning instruction)

Always use grill on a level surface.

Check and clean fire pot regularly; this will ensure proper ignition and heat output.

Not all pellets are created equal, always use dry and fresh pellets.

Always store pellets in a dry area.

Get to know your grill, keep good cooking notes. This will help with consistency.

Practice makes perfect.

Always allow your meat to rest before serving.

Questions?



Call our customer service at 1-706-922-0890
10am-8pm EST. Mon-Thurs;
10am-7pm EST Fri;
9am-3pm EST Sat.

Always keep your cooking area clean.

Avoid lifting the lid more than necessary.

Wind can cool your grill temperature.

Always preheat grill to desired temperature before use.

Wipe off stainless steel surfaces before preheating; dirt and food stains can cook into surface.

Always check pellet hopper for debris and remove excess pellet dust as needed. (A shop-vac is the preferred method)

Leave at least one inch of clearance between food for even cooks. (Crowded foods will take longer to cook)

Foods cooked on pans or in containers will require more time than foods cooked directly on grate. This also limits the amount of wood smoked flavor.

Use the REC TEC GRILLS Bullpen Instant Read Thermometer to determine meat-doneness, never rely on time.

Know your food's internal temp!

Use long handled tongs and spatulas for turning meats, do not use plastic utensils.

Injecting, mopping, and spritzing are great ways to keep meat from drying out.

When going low and slow, plan for your meats stall, larger pieces of meat tend to take longer from 160-180 °F degrees. Be patient.

Never unplug your grill to turn it off; for proper shutdown procedure see “Power Button” on page 10.

If grill is not used for six weeks or more, it is advised to remove all pellets from hopper.

When not in use, unplug and cover with REC TEC GRILLS Premium Grill Cover.

Temps

Remember, you can't tell whether meat is safely cooked by looking at it. Any cooked, uncured red meats - including pork - can be pink, even when the meat has reached a safe internal temperature.

After you remove the meat from your grill, allow it to rest for a specified amount of time. During the rest time, its temperature remains constant or continues to rise, which destroys harmful bacteria.

- Hot foods should be held warmer than 140° F.
- Cold foods should be held below 40° F.
- Perishable food should not be left out for more than 2 hours at room temperature - 1 hour when the temperature is above 90° F.
- Always follow food safety guidelines provided by the USDA.

See page 22 for USDA safety guidelines.



Call our customer service at 1-706-922-0890
10am-8pm EST. Mon-Thurs;
10am-7pm EST Fri;
9am-3pm EST Sat.

Maintenance and Cleaning

A few simple steps will ensure that your REC TEC TRAILBLAZER will give you many years of service with minimal effort.

- Clean your fire pot every 3-5 cooks to ensure proper airflow.
- Use a grill brush to clean your cooking grate after every cook to provide years of trouble free use from them. NOTE: Make sure that no bristles have shed and remain on cooking grate.
- Cover your drip tray with aluminum foil and change it frequently. This is the simplest way to maintain your drip pan. **If you have completed a low and slow cook that has caused the accumulation of grease on your foil, you must change the foil before cooking at high temperatures. Failure to do so will most certainly cause a grease fire in your grill.**
- Clean the ash from the interior of your grill, fire pot, and hopper every 5-6 bags of pellets. It helps to leave a thin layer of ash on the bottom of the barrel for insulation. (A shop vac is the ideal tool for this job.) **(WARNING—always wait at least 12 hours after cooking to remove ash from your grill.)**
- Use a mild soap and water to clean the exterior of your grill. AVOID USING CAUSTIC CLEANERS.
- If left in exposed area, keep your grill covered and unplugged when not in use.
- Never let your pellets get wet; they will swell and jam your auger.
- If grill will not be in use for 6 weeks or more, cleaning out pellets from your hopper is recommended.
- For a superior cleaning and shine, clean your grill's outside surfaces (when completely cooled) and then use automotive wax, per the directions.

Never store the grill in a small space or place in a vehicle unless completely cool and fire is verified as extinguished.

Never move the grill while it is still hot.

Never move the grill in upright position.

Questions?



Call our customer service at 1-706-922-0890

10am-8pm EST. Mon-Thurs;

10am-7pm EST Fri;

9am-3pm EST Sat.

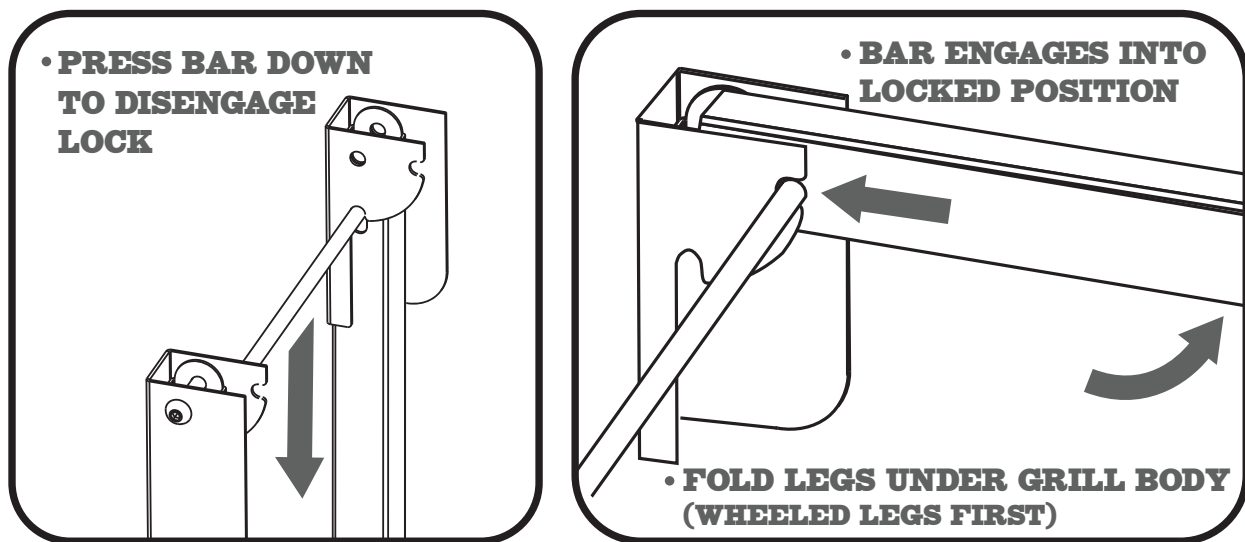
Folding For Transport & Storage

Step 1 - Prepare for Storage

Ensure that the unit is cool. Remove the grate, drip pan and flame deflector. Make sure no unburnt fuel remains in the fire pot. Lay the grill on its back, with bull horn handles facing up.

Step 2 - Folding the Legs

With the grill on its back. First fold the wheeled legs by depressing the bar down from the notched hinge mechanism and disengaging the lock. Swing the legs to the right. Repeat for the non-wheeled set of legs. Ensure that the bar for each set of legs has locked into place in the folded position transporting. The grill can be wheeled now by using the handle on the pellet hopper.



Unfolding the Legs

To unfold the legs for use, reverse the above steps. Begin with the grill on its back. Unfold the non-wheeled legs first, then the wheeled legs. Make sure the legs are locked into place before standing upright.

See page #6 for instructions.

Never move the grill without assistance.

Never move the grill in upright position.

Questions?



Call our customer service at 1-706-922-0890
10am-8pm EST. Mon-Thurs;
10am-7pm EST Fri;
9am-3pm EST Sat.

Troubleshooting

We pride ourselves on our grills, grilling accessories, and on our commitment to serve you. Please consult the chart below to help resolve issues you may encounter. Also, please don't hesitate to contact us with any issues.

| Issue | Potential Cause | Solution(s) |
|--------------------------------|-----------------|---|
| Grill will not light / turn on | Power | Make sure power is plugged into working GFCI outlet, and outlet is not tripped. Unplug grill and check for blown fuse; refer to controller schematic on page 20. |
| | Fuse | Replace fuse manually and try again. Call Customer Service or visit RECTECGRILLS.com if problem persists. |
| | Ignitor | Remove cooking grate, flame deflector, and drip pan; visually inspect fire pot and if after 10 minutes: •your pellets are feeding • your blower fan is running and your grill is still not lighting; Then your ignitor rod may need to be replaced. Call Customer Service. |
| | Auger motor | Remove cooking grate, flame deflector, and drip pan; visually inspect auger turning in the fire pot. (Note: the auger turns very slowly). If auger is not turning, you may have an obstruction in your hopper. Clean out pellets and try again. If problem persists, your auger motor may need to be replaced. Call Customer Service. |
| | Control board | UNPLUG GRILL. Check to make sure the fuse is intact and has not blown. Check for any loose wire connections. If any wires have become detached, refer to controller schematic on page 20. |



Call our customer service at 1-706-922-0890
10am-8pm EST. Mon-Thurs;
10am-7pm EST Fri;
9am-3pm EST Sat.

| Issue | Potential Cause | Solution(s) |
|--|------------------------|---|
| Grill is smoking excessively/ smoke is discolored | Pellet quality / age | Inspect pellets; ensure that pellets are dry and have not broken down into sawdust. If problem persists, remove pellets from the hopper and clean ash from your firepot, replace with fresh dry pellets. |
| | Excess ash in fire pot | Check the burn pot for ash and clean as necessary (Its advised to clean fire pot every 3-5 uses). |
| | Blower fan | Unplug grill. Remove access panel; visually inspect blower fan for any obstructions, loose connections, bugs, etc. Remove obstructions. Power grill on. If problem persists, unplug grill. Spin fan manually for several revolutions. Plug grill back in. If problem still persists, your blower fan may need to be replaced. Call customer service. |
| Grill will not heat up to or maintain proper temp | Pellet quality / age | Inspect pellets; ensure that pellets are dry and have not broken down into sawdust. If problem persists, remove pellets from the hopper and clean ash from your firepot, replace with clean dry pellets. |
| | Insufficient airflow | Check fire pot for any obstructions/ash accumulation. |
| | Excess ash in fire pot | Check fire pot for ash and clear as necessary. |
| Fire continues to go out | Pellet quality / age | Inspect pellets; ensure that pellets are dry and have not broken down into sawdust. If problem persists, remove pellets from the hopper and clean ash from your firepot, replace with clean dry pellets. |
| | Hopper obstruction | Unplug grill. Remove pellets from hopper. Clean hopper of any obstructions or build up. |

Questions?



Call our customer service at 1-706-922-0890
 10am-8pm EST. Mon-Thurs;
 10am-7pm EST Fri;
 9am-3pm EST Sat.

| Issue | Potential Cause | Solution(s) |
|--|--|---|
| Pellets are not being delivered to fire pot | Hopper obstruction | Unplug grill. Remove pellets from hopper. Clean hopper of any obstructions or build up. |
| | Auger failure | Remove cooking grate and flame deflector plate; visually inspect auger turning in the fire pot. (Note: the auger turns very slowly) If auger is not turning, you may have an obstruction in your hopper. Clean out pellets and try again. If problem persists, your auger motor may need to be replaced. Call Customer Service. |
| Flare ups | Excessively greasy food while temperature setting is too high | Cook at 350 degrees or below when cooking excessively fatty foods. |
| Excessive grease/build up | Excessively greasy food | Cook at 350 degrees or below when cooking excessively fatty foods. |
| Smoke coming from hopper | Excess ash in firepot | Clean grill interior. |
| | Pellet level very low in hopper | Add more pellets to hopper. |
| | Excess pellet dust lining auger tube causing burn back | Remove pellets from hopper and vacuum out hopper, auger tube, and fire pot. |
| ER-1 | Power Failure | Make sure power is plugged into working GFCI outlet, and outlet is not tripped. Turn grill off, then back on again to reset controller and clear code. |
| ER-2 | Grill hasn't ignited in over 30 minutes | Refer to "Grill will not light / turn on" in Troubleshooting (Page #16) |
| ER-3 | RTD unpugged/ grill over heated | Check RTD connection and let grill cool. Turn grill off, then back on again to reset controller and clear code. |

Questions?



Call our customer service at 1-706-922-0890
 10am-8pm EST. Mon-Thurs;
 10am-7pm EST Fri;
 9am-3pm EST Sat.

Manual Start Up

In case of ignitor failure, you can start your REC TEC TRAILBLAZER manually:

1. Remove the stainless steel grate, drip pan and flame deflector.
2. Clean out fire pot and place no more than 1/2 cup of pellets in the bottom. Add a small amount of solid fuel fire starter, such as those made from sawdust and wax or use wood shavings. (A paper towel, shredded cardboard, or shredded newspaper can work as a substitute.)
If you have a torch lighter, a fire starter is not needed.
3. Light the fire starter.
4. After the pellets are burning briskly, turn on your grill. If your fire goes out, repeat steps 1-4.
5. If your fire stays lit, replace the stainless flame deflector, drip pan and cooking grate and close the lid. **Be careful not to touch the fire.**

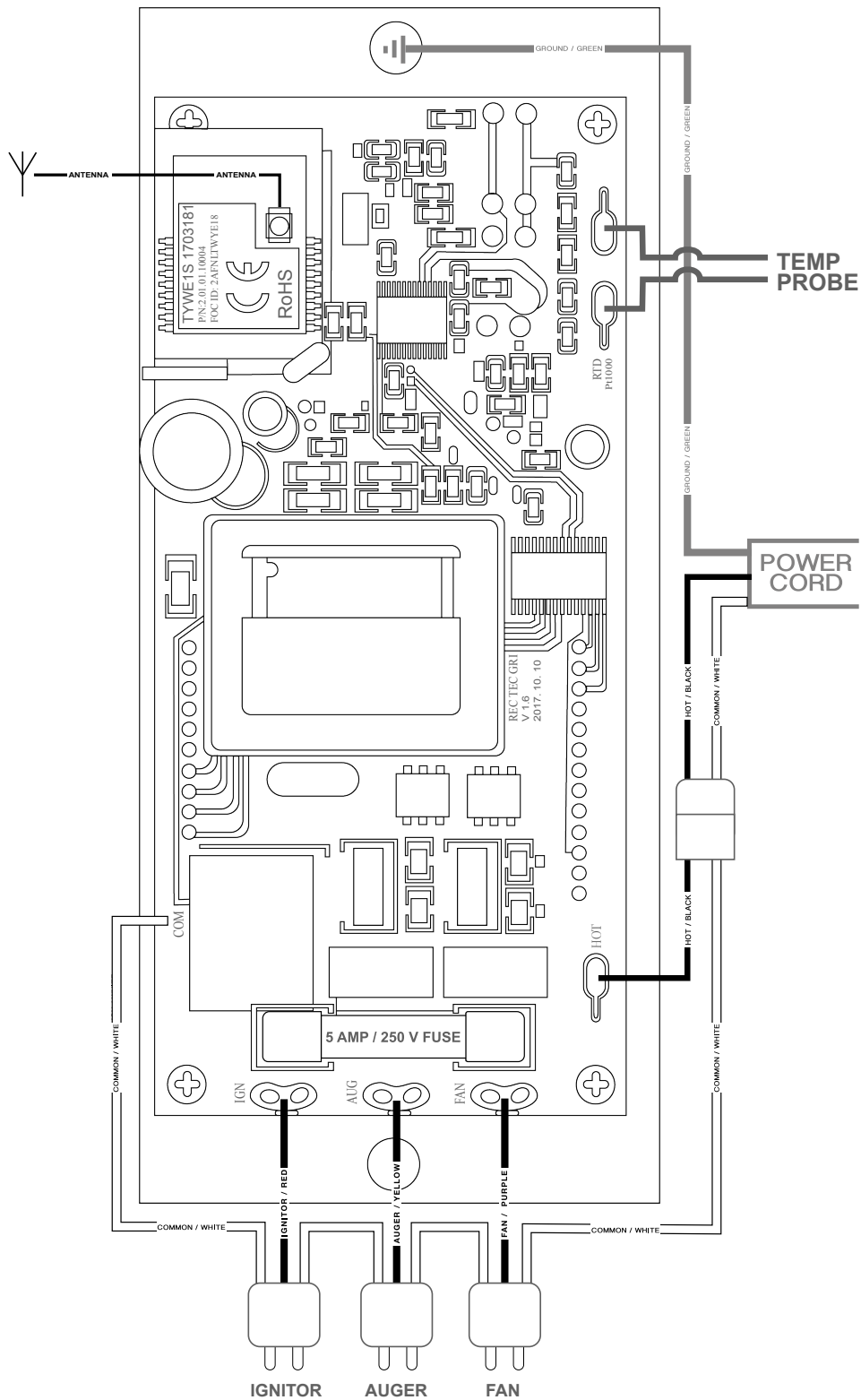
CAUTION: DO NOT USE FLAMMABLE LIQUIDS SUCH AS GASOLINE, GASOLINE-TYPE LANTERN FUEL, KEROSENE, CHARCOAL LIGHTER FLUID, OR SIMILAR LIQUIDS TO START OR FRESHEN-UP THE FIRE! KEEP ALL SUCH LIQUIDS WELL AWAY FROM THE GRILL WHILE IT IS IN USE.

Questions?



Call our customer service at 1-706-922-0890
10am-8pm EST. Mon-Thurs;
10am-7pm EST Fri;
9am-3pm EST Sat.

Controller Schematic



Questions?



Call our customer service at 1-706-922-0890
 10am-8pm EST. Mon-Thurs;
 10am-7pm EST Fri;
 9am-3pm EST Sat.

Use this chart* and a food thermometer to ensure that meat, poultry, seafood, and other cooked foods reach a safe minimum internal temperature.

| Category | Food | Temperature (°F) | Rest Time |
|-----------------------------|------------------------------------|---|-----------|
| Ground Meat & Meat Mixtures | Beef, Pork, Veal, Lamb | 160 | None |
| | Turkey, Chicken | 165 | None |
| Fresh Beef, Veal, Lamb | Steaks, Roasts, Chops | 145 | 3 mins |
| Poultry | Chicken & Turkey, whole | 165 | None |
| | Poultry Breast, Roasts | 165 | None |
| | Poultry Thighs, Legs, Wings | 165 | None |
| | Duck & Goose | 165 | None |
| | Stuffing (cooked alone or in bird) | 165 | None |
| Pork & Ham | Fresh Pork | 145 | 3 mins |
| | Fresh Ham | 145 | 3 mins |
| | Precooked Ham (to reheat) | 140 | None |
| Eggs & Egg Dishes | Eggs | Cook until yolk is firm | None |
| | Egg Dishes | 160 | None |
| Leftovers & Casseroles | Leftovers | 165 | None |
| | Casseroles | 165 | None |
| Leftovers & Casseroles | Fin Fish | 145 or Cook until is opaque | None |
| | Shrimp, Lobster, and Crabs | Cook until flesh is pearly & opaque | None |
| | Clams, Oysters, and Mussels | Cook until shells open | None |
| | Scallops | Cook until flesh is milky white and firm. | None |

*USDA food safety guidelines

Recipes

Ron's Bacon Wrapped Pork Tenderloin

1. Fire up your REC TEC and set to **350°F**.
2. Unpack, wash, and trim pork tenderloin as desired.
3. Rub pork tenderloin down with olive oil to give seasoning something to bind with.
4. Apply **Ron's Kickin' Espresso Joe Rub** liberally to pork tenderloin on all sides.
5. Wrap pork tenderloin with bacon making sure to overlap each piece so it holds itself to pork tenderloin.
6. Season bacon wrapped pork tenderloin with a little more rub.
7. Place on the REC TEC and cook until an internal temperature of **145°F**.
8. Pull tenderloin off of REC TEC, tent with aluminum foil and allow to rest 20-30 min.
9. Slice pork tenderloin to desired thickness.

Pork tenderloin should take approx. 45-60 minutes.

Ray's Easy Smoked Pork Butt Recipe

1. Fire up your REC TEC and set to **250°F**.
2. Unpack, wash, and trim your pork butt as needed.
3. Cover pork butt in yellow mustard to give your seasoning something to bind to.
Don't worry if you don't like mustard, you can't taste it.
You can use olive oil or vegetable oil as well.
4. Apply **Ray's Front Row Master Blend** rub liberally to your pork butt on all sides.
5. Place on the REC TEC and cook pork butt to an internal temperature of **195-200°F**.
6. Take pork butt off and wrap in foil or butcher paper and let pork butt rest for 1-2 hrs.
7. Pull pork butt apart discarding unwanted fat and bark.
8. Season with additional Rays Front Row Master Blend.

Pork Butt should take approximately 1.5 hrs per lb.

Ben's Super Easy Hamburgers

1. Fire up your REC TEC and set to **500°F**.
2. Unpack and Patty ground chuck into 1/4 lb burgers.
(80/20 or 73/27 ground chuck is preferred.)
3. Season patties liberally with **Ben's Heffer Dust** on both sides.
4. Place on REC TEC and cook until desired doneness.

| | | | |
|---------------------|------------------|---------------------|------------------|
| Rare: | 120-130°F | Medium Well: | 145-155°F |
| Medium Rare: | 130-135°F | Well: | 155+ |
| Medium: | 135-145°F | | |
5. Add your favorite cheese **2 minutes** before you remove your burgers.
6. Toast hamburger buns on REC TEC for about 5-10 min. and place burgers on buns.

Ross's 3-2-1 St. Louis Ribs

1. Fire up your REC TEC and set to **250°F**.
2. Remove silver skin membrane from bone side of ribs and evenly coat both sides with yellow mustard. Don't worry if you don't like mustard, you can't taste it, you can use olive oil or vegetable oil as well.
3. Season liberally on all sides with **Rossarooski's Honey Rib Rub** and allow ribs to sit out 20-30 minutes at room temperature.
4. Place on REC TEC for 3 hours.
5. After **3 hours** pull ribs off of REC TEC and wrap with aluminum foil. Inside foil sprinkle with 1/4 cup brown sugar, 1/2 stick of butter separated into tsp. portions, and 1/4 cup room temperature apple juice. Place back onto REC TEC and cook 2 hours.
6. After **2 hours** unwrap ribs from foil and place back on REC TEC for 1 hour.
For sauced ribs apply REC TEC BBQ sauce after 30 minutes.
7. After **1 hour** pull ribs off and allow to rest 15-20 minutes before slicing.

Ribs should take approx. 6 hours.

SUPER Easy St. Louis Honey Ribs

1. Fire up your REC TEC and set to **250°F**.
2. Remove silver skin membrane from bone side of ribs and evenly coat both sides with yellow mustard. Don't worry if you don't like mustard, you can't taste it, you can use olive oil or vegetable oil as well.
3. Season liberally on all sides with **Rossarooski's Honey Rib Rub** and allow ribs to sit out 20-30 minutes at room temperature.
4. Place on REC TEC for **6 hours**.
5. For sauced ribs add REC TEC BBQ sauce after 5.5 hours (last 30 minutes of cook). For dry ribs sprinkle additional rub before pulling off REC TEC.
6. Pull ribs off and allow to rest 15-20 minutes before slicing.

Ribs should take approx. 6 hours.

Colden's Perfect Steaks

1. Fire your REC TEC and set to **500°F**.
2. Season your favorite steak cut liberally with **Colden's Freakin' Greek Rub**.
3. Place steak onto REC TEC and cook until desired doneness.

| | |
|---------------------|------------------|
| Rare: | 120-130°F |
| Medium Rare: | 130-135°F |
| Medium: | 135-145°F |
| Medium Well: | 145-155°F |
| Well: | 155+ |

4. Remove steak and allow to sit 10-15 minutes before serving.

Jody's Asian Chicken Thighs

Marinade Mix

- 1/3 cup hoisin sauce
- 1/4 cup white wine vinegar
- 1 cup soy sauce
- 2 tablespoons sriracha sauce
- 1 tablespoon pressed and minced fresh garlic
- 1.5 cups brown sugar

1. Marinate boneless, skinless chicken thighs in marinade mix for 6-12 hrs.
2. Fire up your REC TEC and set to **400°F**.
3. Remove chicken from marinade and season with **Jody's Asian Persuasion**.
4. Place chicken thighs on REC TEC and cook until an internal temperature of 165°F is achieved in thickest part of thigh.
5. Remove from REC TEC and let sit 10-15 minutes before serving.

Thighs should take approx. 45-60 minutes.

REC TEC Pineapple Upside Down Cake

Ingredients:

- 1 cup butter, divided (2 sticks)**
- 1 cup light brown sugar**
- 15¼oz can of pineapple slices in juice**
- 7 maraschino cherries**
- 15¼oz box of super moist butter cake mix**
- 3 eggs**

1. Fire up your REC TEC and set to **325°F**.
 2. In a well seasoned 15½" cast iron skillet, heat ½ cup butter and brown sugar over med heat until butter is melted then remove from heat.
 3. Drain pineapple juice from can into a measuring cup and add enough water to make a cup of liquid. Add to cake mix in a large bowl with eggs and a ½ cup of butter. Mix well and set aside
 4. Place drained pineapple rings and cherries in the bottom of the skillet on top of the melted butter/sugar mixture.
 5. Top with cake batter.
 6. Bake in the REC TEC at 325°F for 50 to 60 minutes or until a toothpick inserted in the center comes out clean.
 7. Immediately cover pan with a platter and invert. Serve with vanilla ice cream and enjoy!
-

REC TEC Bloody Mary

1. Rim a glass with **Durty Gurl Bloody Mary Rub**
2. Add ice, vodka, **Durty Gurl Bloody Mary Mix**,
3. Stir or shake.
4. Sprinkle a little more seasoning and ENJOY!

REC TEC TRAILBLAZER

TWO (2) Year Non-transferable Limited Warranty

This limited warranty covers the REC TEC TRAILBLAZER Wood Pellet Grill manufactured by "Rec Tec Industries, LLC." The REC TEC TRAILBLAZER carries a 2 year limited warranty from the date of purchase by the original owner against defects in material and workmanship when subjected to normal residential use. Limited warranty does not apply to paint, grill cover, or damage caused from corrosion.

Conditions of Limited Warranty

1. During the term of the limited warranty, Rec Tec Industries, LLC's (RTI) obligation shall be limited to replacement of covered, failed components. RTI will repair or replace parts returned to RTI, freight prepaid, if the part(s) are found by RTI to be defective upon examination. RTI shall not be liable for transportation charges, labor costs, or export duties.
2. RTI takes every precaution to utilize materials that retard rust including the use of high temperature paint and stainless steel where advisable. Even with these safeguards, the protective coatings can be compromised by various substances and conditions beyond RTI's control. High temperatures, excessive humidity, chlorine, industrial fumes, fertilizers, lawn pesticides and salt are some of the substances that can affect paint and metal coatings. For these reasons, the limited warranties DO NOT COVER RUST OR OXIDATION FOR ANY REASON.
3. The warranty is based on residential use. Warranty coverage does not apply to products used in commercial applications.

Exceptions to the Limited Warranty

There is no written or implied performance warranty on REC TEC GRILLS, as the manufacturer has no control over the installation, operations, cleaning, maintenance or the type of fuel burned. This limited warranty will not apply nor will RTI assume responsibility if your product has not been installed, operated, cleaned and maintained in strict accordance with the manufacturer's instructions. The warranty does not cover damage or breakage due to misuse, improper handling or modifications. NEITHER THE MANUFACTURER, NOR THE SUPPLIERS TO THE PURCHASER ACCEPTS RESPONSIBILITY, LEGAL OR OTHERWISE, FOR THE INCIDENTAL OR CONSEQUENTIAL DAMAGE TO THE PROPERTY OR PERSONS RESULTING FROM THE USE OF THIS PRODUCT. ANY WARRANTY IMPLIED BY LAW, INCLUDING BUT NOT LIMITED TO IMPLIED WARRANTIES OF MERCHANTABILITY OR FITNESS, SHALL BE LIMITED TO TWO (2) YEARS FROM THE DATE OF ORIGINAL PURCHASE. WHETHER A CLAIM IS MADE AGAINST THE MANUFACTURER BASED ON THE BREACH OF THIS WARRANTY OR ANY OTHER TYPE OF WARRANTY EXPRESSED OR IMPLIED BY LAW, MANUFACTURER SHALL IN NO EVENT BE LIABLE FOR ANY SPECIAL, INDIRECT, CONSEQUENTIAL OR OTHER DAMAGES OF ANY NATURE WHATSOEVER IN EXCESS OF THE ORIGINAL PURCHASE PRICE OF THIS PRODUCT. ALL WARRANTIES BY MANUFACTURER ARE SET FORTH HEREIN AND NO CLAIM SHALL BE MADE AGAINST MANUFACTURER ON ANY ORAL WARRANTY OR REPRESENTATION. Some states do not allow the exclusion or limitation of incidental or consequential damages, or limitations of implied warranties, so the limitations or exclusions set forth in this limited warranty may not apply to you. This limited warranty gives you specific legal rights and you may have other rights, which vary from state to state.

The limited warranty for Two (2) years is in lieu of all other warranties expressed or implied, at law or otherwise, and RTI does not authorize any person or representative to assume for RTI any obligation or liability in connection with the sale of this product. This means that no warranties, either expressed or implied, are extended to persons who purchase the product from anyone other than RTI or an authorized RTI Distributor.

Procedure for Warranty Service

Call RTI at 1-706-922-0890 for repair or replacement of your covered parts.

Be prepared to furnish the following information:

- Purchaser's name, model and serial number of grill and date of purchase.
- An accurate description of the problem.

Questions?

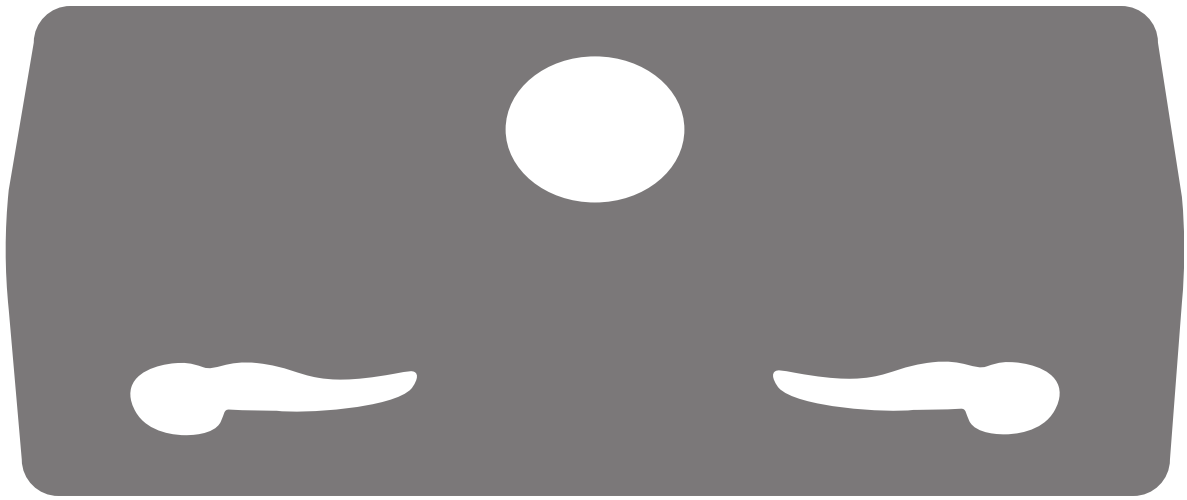


Call our customer service at 1-706-922-0890

10am-8pm EST. Mon-Thurs;

10am-7pm EST Fri;

9am-3pm EST Sat.



TRAILBLAZER

RT-340

